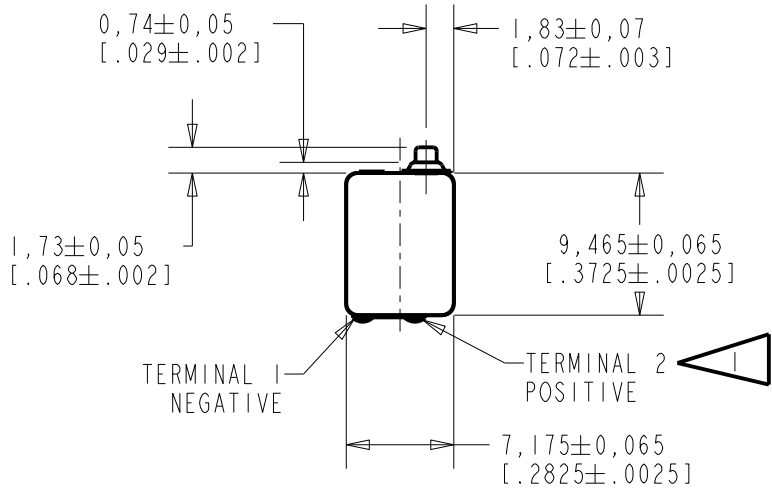

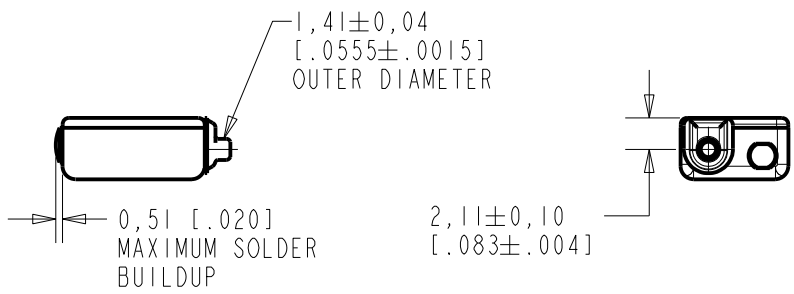
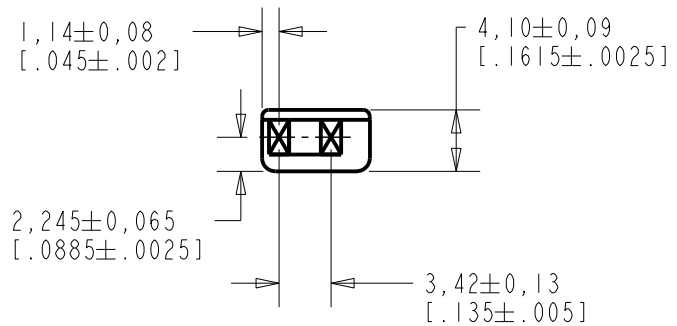


CI-30120-A42
SHT 1.1



NOTES:
 A POSITIVE GOING VOLTAGE AT TERMINAL 2, RELATIVE TO TERMINAL 1, CAUSES A DECREASE IN PRESSURE AT THE SOUND OUTLET.



DIMENSIONS IN MILLIMETERS [INCHES]

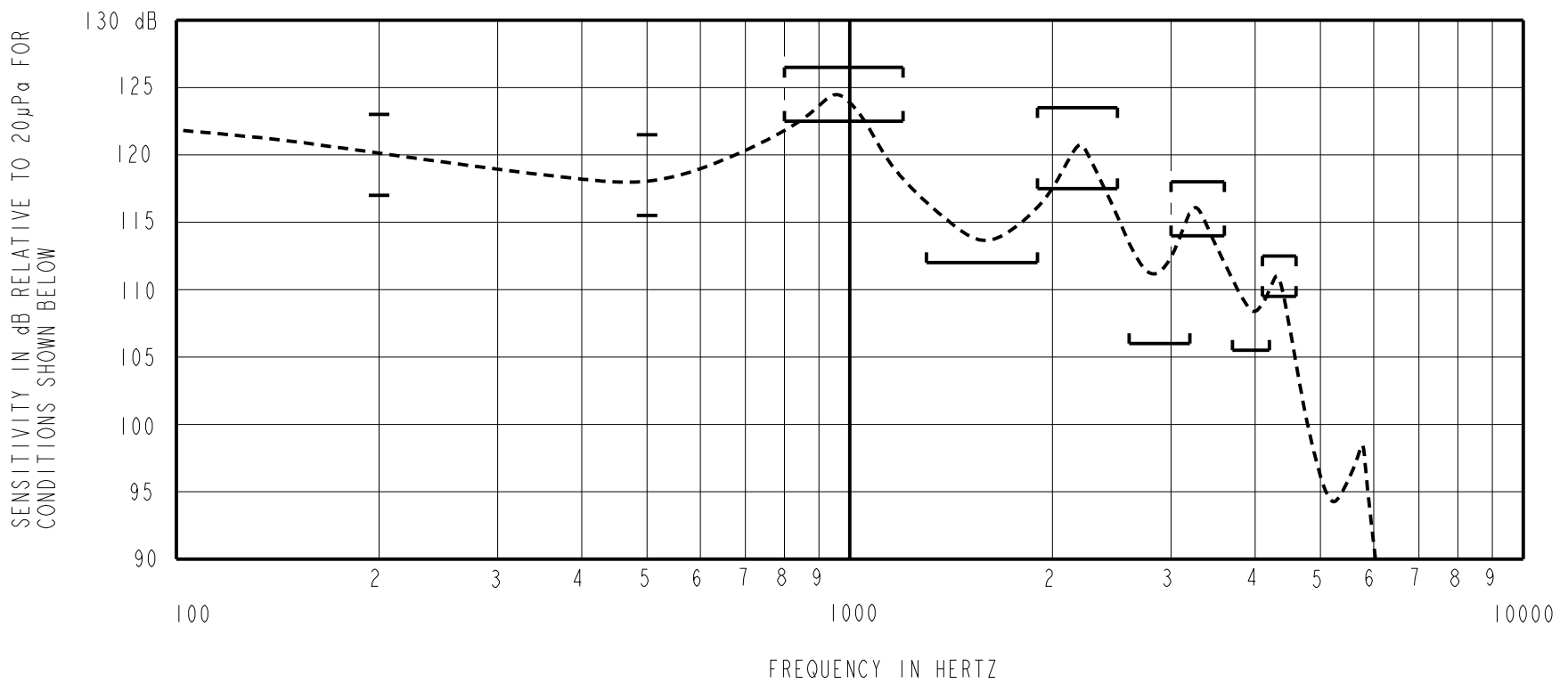
KNOWLES ELECTRONICS
ITASCA, ILLINOIS U.S.A.

Revision	C.O. #	Implementation Date	RELEASE LEVEL	REVISION
C	C10111693	1-4-2011	Active	C
B	C10110218	8-19-09		
A	C10105885	6-15-07		
SCALE: 2:1			DR. BY DATE	
DO NOT SCALE DRAWING			SDZ 6-15-07	
TITLE: RECEIVER			CK. BY DATE	
OUTLINE DRAWING			GJP 6-21-07	
CI-30120-A42			APP. BY DATE	
SHT 1.1			GJP 6-21-07	

THE CI-30120-A42 IS A BALANCED ARMATURE RECEIVER HAVING REDUCED HEIGHT SOLDER TERMINALS.
NOTE: SPECIFICATIONS FOLLOWED BY AN ASTERISK (*) ARE 100% TESTED.

NO DAMPING

CI-30120-A42
SHEET 2.1



ACOUSTICAL

SENSITIVITY*
DEVICE WILL PRODUCE THE SPL LISTED BELOW WITH THE TEST CONDITIONS DESCRIBED IN TABLE 3. NOMINAL SENSITIVITY AT 500 Hz IS dB RELATIVE TO 20µPa. ALL OTHER VALUES IN dB RELATIVE TO THE SENSITIVITY AT 500 Hz.

FREQUENCY (Hz)	MINIMUM	NOMINAL	MAXIMUM
200	-1.5	+1.5	+4.5
500	-3.0	+18.5	+3.0
800-1200 PEAK 1	+4.0	+6.0	+8.0
1300-1900 VALLEY 1	-6.5	---	---
1900-2500 PEAK 2	-1.0	+2.0	+5.0
2600-3200 VALLEY 2	-12.0	---	---
3000-3600 PEAK 3	-4.5	-2.5	-0.5
3700-4200 VALLEY 3	-12.5	---	---
4100-4600 PEAK 4	-9.0	-7.5	-6.0

TABLE 1.

TOTAL HARMONIC DISTORTION*
DEVICE WILL NOT EXCEED TOTAL HARMONIC DISTORTION LEVELS LISTED BELOW.

FREQUENCY (Hz)	DRIVE (V RMS)	DC BIAS (mA)	LIMIT (%)
350	.165 V	0	5
500	.165 V	0	5
500	.330 V	0	10

TABLE 2.

TEST CONDITIONS

NOMINAL SOURCE VOLTAGE	.165 Vrms, 0 Vdc BIAS
SOURCE IMPEDANCE	< 1 Ω
TUBING	8 mm (.315) LONG X 1 mm (.039) ID 28 mm (1.10) LONG X 1.5 mm (.059) ID 25 mm (.984) LONG X 2 mm (.079) ID 18 mm (.710) LONG X 3 mm (.118) ID
COUPLER CAVITY	2 CC SIMULATED ANSI S3.6 TYPE HA-3 (IEC 60318-5)

TABLE 3.

ELECTRICAL

DC RESISTANCE	16Ω ±10%
IMPEDANCE @ 500HZ	41Ω ±20% *

TABLE 4.

ISOLATION: THE CASE WILL BE ELECTRICALLY ISOLATED FROM THE COIL CIRCUIT*

MECHANICAL

PORT LOCATION: IS

SOLDER TYPE: SAC305 (LEAD FREE)

TEMPERATURE

OPERATING: SENSITIVITY WILL NOT VARY MORE THAN +1/-3 dB FROM -17°C TO 63°C

STORAGE: -40°C TO 63°C

KNOWLES ELECTRONICS
ITASCA, ILLINOIS U.S.A.

Revision	C.O. #	Implementation Date	RELEASE LEVEL	REVISION
C	CI0111693	1-4-2011	Active	C
B	CI0110218	8-19-09		
A	CI0105885	6-15-07		
WHEN TEST LIMITS ARE USED TO ESTABLISH INCOMING INSPECTION ACCEPTANCE/REJECTION CRITERIA, CORRELATION OF TEST EQUIPMENT WITH KNOWLES IS ALSO REQUIRED FOR ELIMINATION OF EQUIPMENT AND TEST METHOD VARIATION			DR. BY	DATE
TITLE: RECEIVER PERFORMANCE SPECIFICATION			SDZ	6-15-07
			CI-30120-A42	
SHT 2.1			CK. BY	DATE
			GJP	6-21-07
			APP. BY	DATE
			GJP	6-21-07